

JVS-N812SL-YWS

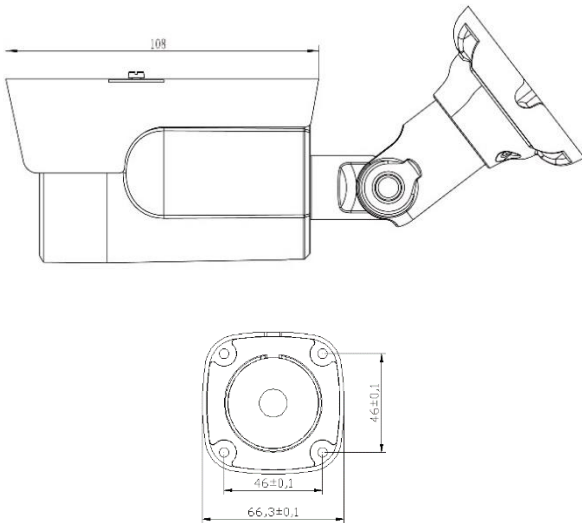
2.0MP Starlight Bullet Camera



Key Features

- Resolution 1920x1080@25fps
- 2.0MP CMOS Sensor
- With Starlight feature
- Ingress Protection IP66
- 18x IR-LED, Up to 30m.
- Supports CloudSEE 2.0 APP on iOS/Android
- ONVIF 2.4, Compatible with ONVIF Recorder

Dimensions (mm)



Specifications

Video	
Image Sensor	1/ 2.9" CMOS
Max Resolution	1920 x 1080
Effective Pixels	2.0MP
Compression Standard	H.265
Maximum Frame Rate	1080p@25fps
SNR(dB)	38.6dB
Bit Rate	128Kbps~8Mbps
Illumination	0Lux (IR ON)
Lens	
Lens	3.6mm
Viewing Angle	3.6 mm: 104°
IR-LEDs	12μ x 18 LEDs
IR-Distance	Up to 30 Meters
Function	
Motion Detection	Support
Email Alert	Support
Day& Night	Support
Recording	Support (NVR, Windows PC, Smartphone)
DHCP	Support
Privacy Mask	Support up 4 areas
Exposure Control	Support
Image Adjustment	Support
Auto. White Balance	Support
Image Rotation	Support (Mirror/Flip)
Network	
Ethernet	10M/100M Ethernet, RJ45 Port
Protocols	HTTP, TCP/IP, UDP, ICMP, RTSP, RTP, RTCP, SMTP, DHCP, DNS
Stream	2x Streams
Wi-Fi	Not Supported
LAN	Support
ONVIF	ONVIF 2.4
User	Up to 13 Users
Browser	IE8+
Smart Phone	iOS/Android
General	
Dimensions(W x H x D)	215x100x105mm
Weights	480g
Material	Metal
Working Temperature	-20°C~60°C
Humidity	RH 10%~90%
Power Supply	DC12V/1A, PoE (IEEE 802.3af)
Consumption	Day ≅2W Night ≅8W
Waterproof	IP66
EAN	6938449001064