

JVS-H820E

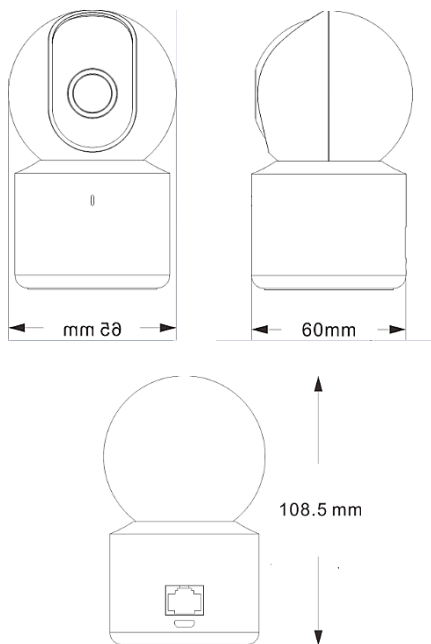
2.0MP Wi-Fi Camera



Key Features

- Resolution 1920x1080.
- With IR LED Lights and IR-CUT, monitoring day and night.
- Supports smart phone remote viewing
- Supports two-way talk
- Wi-Fi IEEE802.11b/g/n
- PAN and TILT
- Support 128GB SD Card
- One-key for Privacy Mask
- With Human Tracking Smart Function

Dimensions(mm)



Specifications

Video	
Image Sensor	1/2.9" Progressive Scan CMOS
Max Resolution	Up to 1920x1080
Effective Pixels	2.0 MP
Compression Standard	H.265-Pro/H.264
Framerate (fps)	Up to 20fps
Bitrate	40Kbps~6Mbps
Illumination	5Lux (IR ON)
Lens	
Interface Type	M12
Lens	Fixed 4mm, F2.0
Viewing Angle	H:88°, V: 46°, D: 102°
Focusing System	Fixed
IR-LEDs	8x IR-LEDs
IR-Distance	Up to 10 Meter
Function	
Privacy Masking	Supports 4 zone masking
Exposure Mode	Auto
Automatic Gain Control	Auto
White Balance	Auto
Motion Detection	Support
Day-Night Vision	IR-CUT, Supports color/black switch
Remote Control	System Management, Stream Management, Alarm Management, Network Management.
Detection Alarm	E-mail Alert, Client-end Alarm, Smartphone Message Alarm
Two-way Talk	Support
Storage	Up to 128GB
Pan/Tilt	Pan: 345° Tilt: 117°
ONVIF	Support
Interface	
Audio Input	1 Channel Internal MIC
Audio Output	1 Channel Internal Speaker
Ethernet Port	Yes
TF Card	Support
Reset	Support
Network	
Ethernet	10M/100M Ethernet, RJ45 Port
Wi-Fi	Wi-Fi (IEEE802.11b/g/n)
Stream	Dual stream
Protocols	TCP/IP, ICMP, UDP, SMTP, DHCP
General	
Network Transmission	CloudSEE P2P Transmission Protocol
IR Light	8 pcs 940nm IR LED Lights
IR Distance	10m
Working Temperature	-10°C~55°C
Humidity	RH 10%~90%
Power Supply	DC5V/1.5A
Consumption	Day<3W, Night<6W
Color/Material	White/ABS+PC
Dimension (WxHxD)	65 x 60 x 108.5(mm)
Installation	Wall, Ceiling, Desktop