

JVS-FRT-DL08

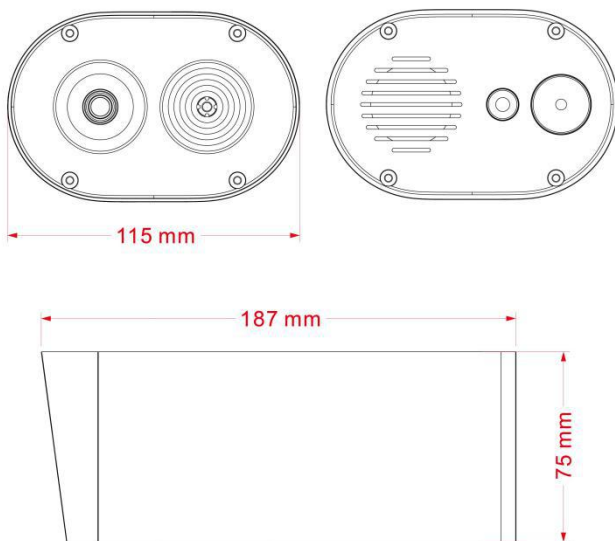
Dual-spectral Thermal Imaging Camera



Key Features

- Resolution 256X192 VOX Uncooled Thermal Imager
- Temperature Detection Accuracy $\pm 0.3^{\circ}\text{C}$ (With Blackbody)
- Support High Temperature Alarm and Broadcasting
- Support HDMI output (No need PC)
- Prevent COVID-19 epidemic by detecting human temperature.

Dimension



Specifications

Detector	
Detector	Uncooled VOX sensor
Resolution	256x192
Temperature Measurement	
Measurement range	33°C~42°C
Accuracy	$\pm 0.3^{\circ}\text{C}$ (With blackbody) $\pm 0.5^{\circ}\text{C}$ (Without blackbody)
Detection Distance	0.5~3.5m
Installation Height	1.8m
Flux	>100 people/minute
High Temperature Alarm	Support
Visible Camera	
Image Sensor	Sony IMX307
Resolution	2.0MP, 1920x1080
Video Compression	H.265/H.264
Lens	6mm
WDR	Support
Interface	
Interface	10M/100M Ethernet, RJ45 Port,
RS485	Support
HDMI	Support
Alarm Input&Output	Support
Audio Input&Output	Support, Built-in Speaker
Storage	EMMC Method
Network	
Protocols	TCP/IP, UDP, ICMP, IGMP, DHCP, RTSP
Interface	10M/100M Ethernet, RJ45 Port,
VMS	Support
General	
Working Temperature	-10°C~60°C (With Blackbody)
Storage temperature	-20°C~60°C
Humidity	5%~95%, Non-condensing
Power Supply	DC 12 V/2A
Working Environment	Indoor, No Wind
Installation	Tripod (Optional)
Dimensions	115*187*75mm